

Air Source Treatment Unit

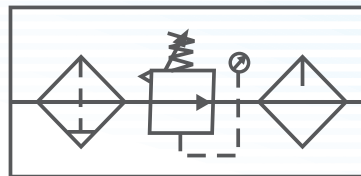
“S” SERIES

Air Filter & Regulator + Lubricator Combination (F&R+L)



SFR+L-38 & SFR+L-50

Symbol

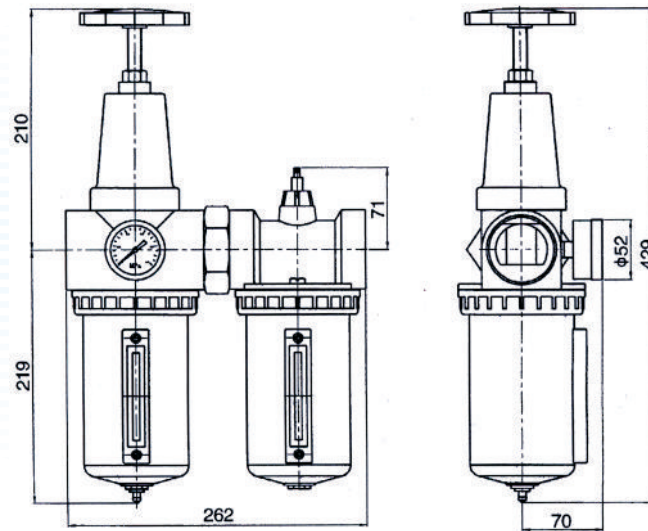


| Specification / code | SFR+L-38 | SFR+L-50 |
|---|------------------------------|-------------------------|
| Size in inch. | 1-1/2" | 2" |
| Applicable Medium | Air | |
| Filtration (Filter Element) | 20 (micron) | |
| Max. Working Pressure | 0 - 10 kg/cm ² | |
| Adjustable Pressure Range | 0.5 to 8.5kg/cm ² | |
| Applicable Temperature | 5 - 60°C | |
| Recom. Lubricating Oil | ISOVG32 or Equivalent | |
| Type of Valve | Relief Valve (Overflow) type | |
| Gauge Port Size | G1 / 4" | |
| Body Material | Alluminium Alloy Die-Casting | |
| Bowl Material | Polycarbonate | |
| Safety Guard | No | With Metal Guard (Iron) |
| Drain Function | Automatic Drain | |
| FRL also available with 5 , 10 , 20 Filters | | |
| | | |
| | | |
| | | |

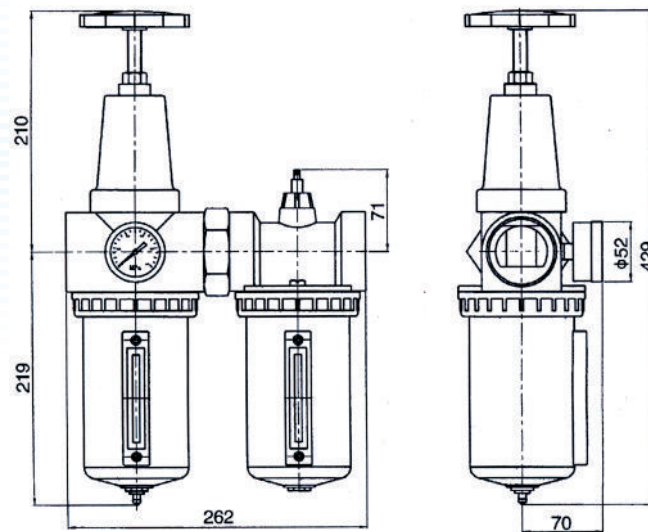
Air Source Treatment Unit

Dimensions (mm) for "S" SERIES Air Filter & Regulator + Lubricator Combination (F&R+L)

1) SFR+L-38



3) SFR+L-50



Air Source Treatment Unit

“S” SERIES Air Filter & Regulator (F&R)



SFR-06-WG

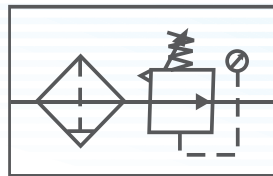


SFR-06/ 10/ 12



SFR-19/ 25

Symbol

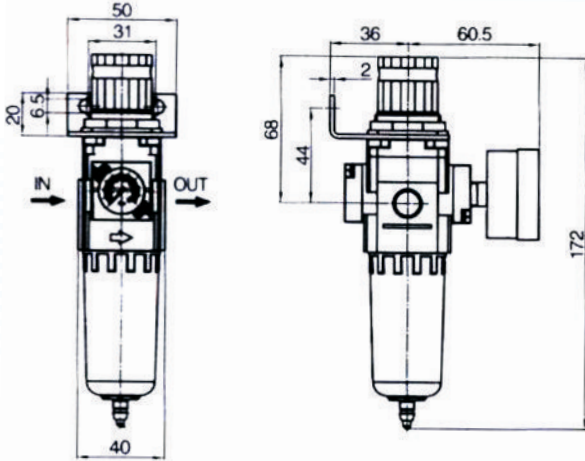


| Specification / code | SFR-06-WG (without Guard) | SFR-06 | SFR-10 | SFR-12 | SFR-19 | SFR-25 |
|---|------------------------------|-------------------------|---------|--------|--------|--------|
| Size in inch. | 1/4" | 1/4" | 3/8" | 1/2" | 3/4" | 1" |
| Applicable Medium | Air | | | | | |
| Flow L / min. | 500 | 1700 | | 3000 | 4000 | |
| Filtration (Filter Element) | 40 (micron) | | | | | |
| Filter Cup Size (cc) | 15 | 60 | | 90 | | |
| Lubricator Cup Size (cc) | 25 | 90 | | 120 | | |
| Max. Working Pressure | 0 - 10 kg/cm ² | | | | | |
| Adjustable Pressure Range | 0.5 to 8.5kg/cm ² | | | | | |
| Applicable Temperature | 5 - 60°C | | | | | |
| Recom. Lubricating Oil | ISOVG32 or Equivalent | | | | | |
| Type of Valve | Relief Valve (Overflow) type | | | | | |
| Gauge Port Size | G1 / 8" | | G1 / 4" | | | |
| Body Material | Alluminium Alloy Die-Casting | | | | | |
| Bowl Material | Polycarbonate | | | | | |
| Safety Guard | No | With Metal Guard (Iron) | | | | |
| Drain Function | Automatic Drain | | | | | |
| FRL also available with 5 , 10 , 20 Filters | | | | | | |

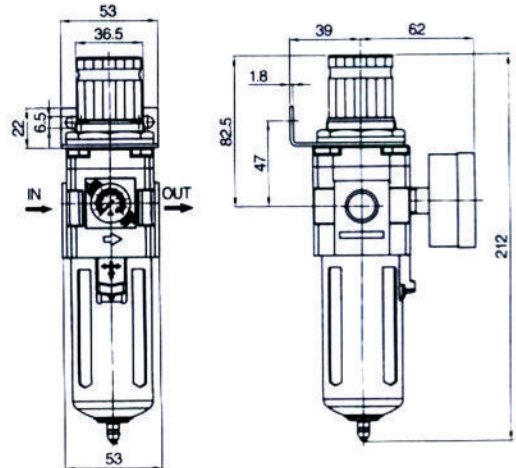
Air Source Treatment Unit

Dimensions (mm) for "S" SERIES Air Filter & Regulator (F&R)

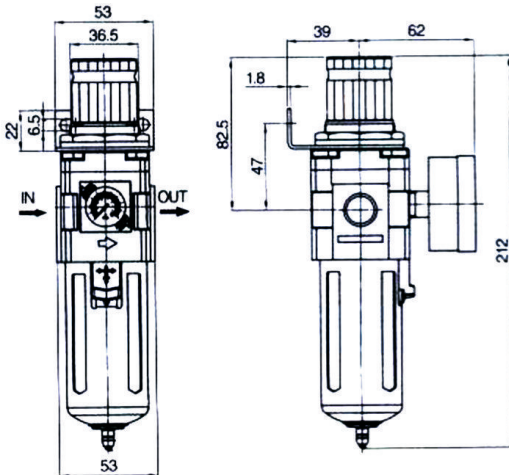
1) SFR + 06 -WG



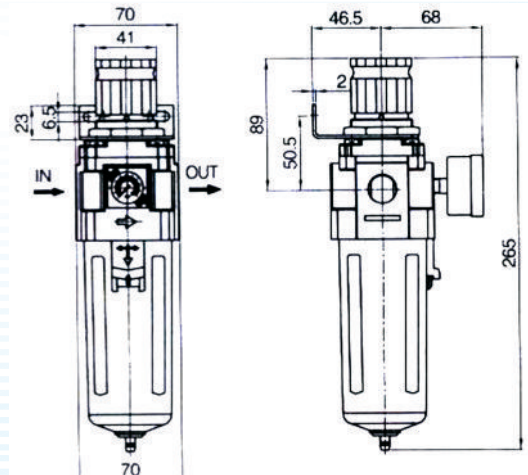
2) SFR - 06



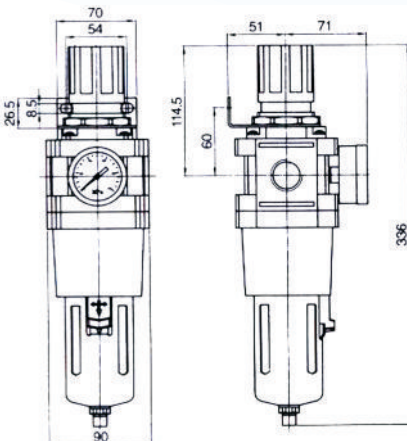
3) SFR - 10



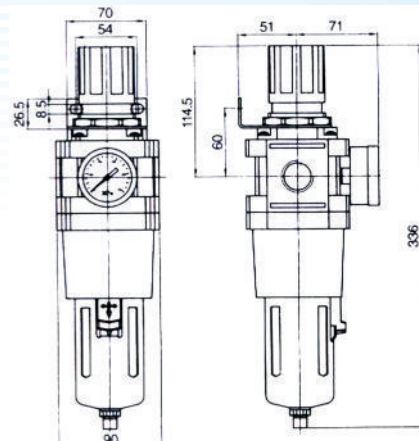
4) SFR - 12



5) SFR - 19



5) SFR - 25



Air Source Treatment Unit

“S” SERIES

Air Filter & Regulator + Lubricator Combination (F&R+L)

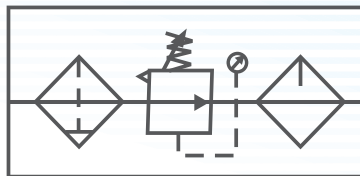


SFR+L-06/ 10/ 12



SFR+L-19/ 25

Symbol

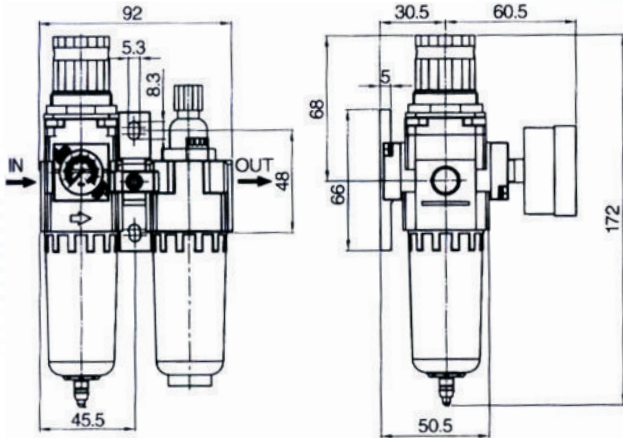


| Specification / code | SFR+L-06-WG (without Guard) | SFR+L 06 | SFR+L 10 | SFR+L 12 | SFR+L 19 | SFR+L 25 |
|---|--------------------------------|-------------------------|----------|----------|----------|----------|
| Size in inch. | 1/4" | 1/4" | 3/8" | 1/2" | 3/4" | 1" |
| Applicable Medium | Air | | | | | |
| Flow L / min. | 500 | 1700 | | 3000 | 4000 | |
| Filtration (Filter Element) | 40 (micron) | | | | | |
| Filter Cup Size (cc) | 15 | 60 | | 90 | | |
| Lubricator Cup Size (cc) | 25 | 90 | | 120 | | |
| Max. Working Pressure | 0 - 10 kg/cm ² | | | | | |
| Adjustable Pressure Range | 0.5 to 8.5kg/cm ² | | | | | |
| Applicable Temperature | 5 - 60°C | | | | | |
| Recom. Lubricating Oil | ISOVG32 or Equivalent | | | | | |
| Type of Valve | Relief Valve (Overflow) type | | | | | |
| Gauge Port Size | G1 / 8" | | | | | |
| Body Material | Alluminium Alloy Die-Casting | | | | | |
| Bowl Material | Polycarbonate | | | | | |
| Safety Guard | No | With Metal Guard (Iron) | | | | |
| Drain Function | Automatic Drain | | | | | |
| FRL also available with 5 , 10 , 20 Filters | | | | | | |

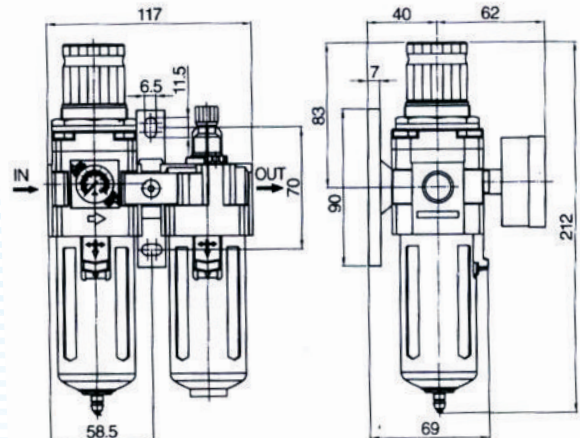
Air Source Treatment Unit

Dimensions (mm) for "S" SERIES Air Filter & Regulator + Lubricator Combination (F&R+L)

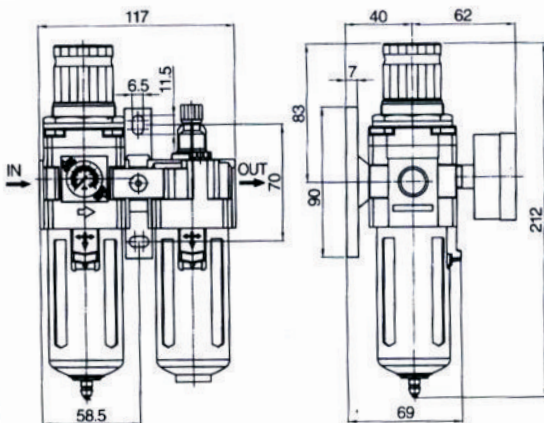
1) SFR + L - OG - WG



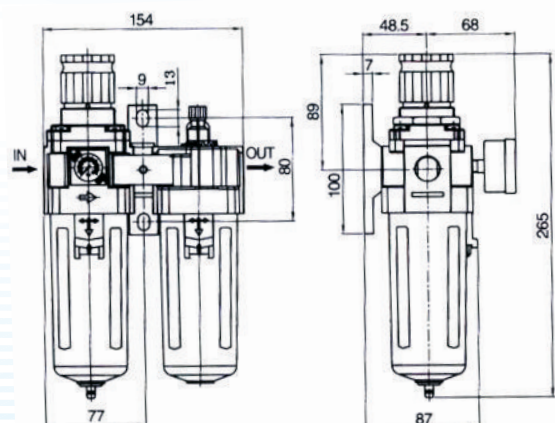
2) SFR + L - 06



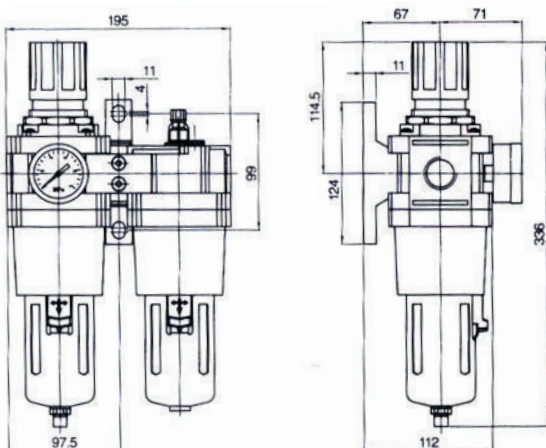
3) SFR + L - 10



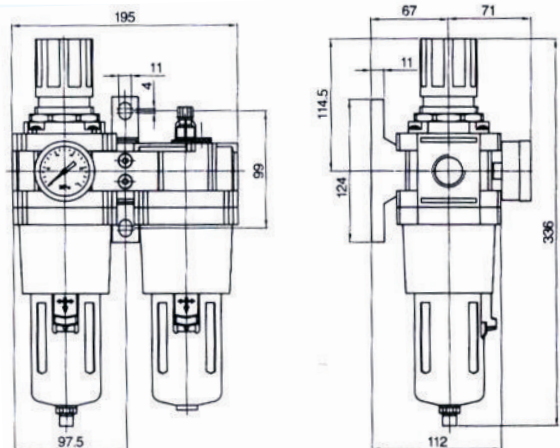
4) SFR + L - 12



5) SFR + L - 19



5) SFR + L - 25



Air Source Treatment Unit

“S” SERIES

Air Filter + Regulator + Lubricator Combination (F+R+L)

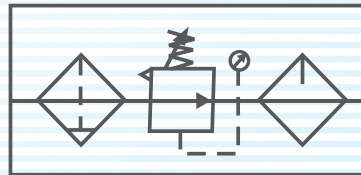


SFRL-06/ 10/ 12



SFRL 19/ 25

Symbol

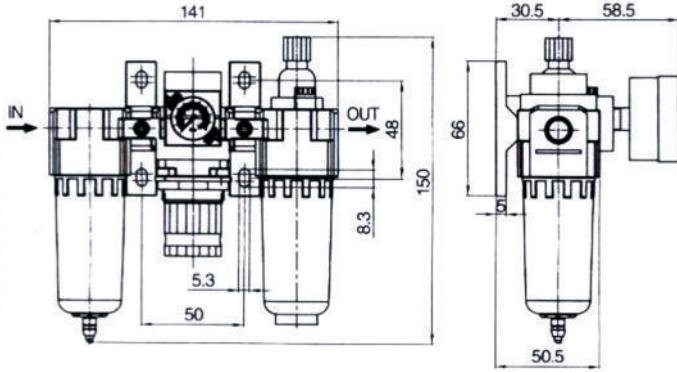


| Specification / code | SFRL-06-WG (without Guard) | SFRL 06 | SFRL 10 | SFRL 12 | SFRL 19 | SFRL 25 |
|---|-------------------------------|-------------------------|---------|---------|---------|---------|
| Size in inch. | 1/4" | 1/4" | 3/8" | 1/2" | 3/4" | 1" |
| Applicable Medium | Air | | | | | |
| Flow L / min. | 500 | 2000 | 4000 | 4500 | 5000 | 5000 |
| Filtration (Filter Element) | 40 (micron) | | | | | |
| Filter Cup Size (cc) | 15 | 60 | | 90 | | |
| Lubricator Cup Size (cc) | 25 | 90 | | 120 | | |
| Max. Working Pressure | 0 - 10 kg/cm ² | | | | | |
| Adjustable Pressure Range | 0.5 to 8.5kg/cm ² | | | | | |
| Applicable Temperature | 5 - 60°C | | | | | |
| Recom. Lubricating Oil | ISOVG32 or Equivalent | | | | | |
| Type of Valve | Relief Valve (Overflow) type | | | | | |
| Gauge Port Size | G1 / 8" | | | | | |
| Body Material | Alluminium Alloy Die-Casting | | | | | |
| Bowl Material | Polycarbonate | | | | | |
| Safety Guard | No | With Metal Guard (Iron) | | | | |
| Drain Function | Automatic Drain | | | | | |
| FRL also available with 5 , 10 , 20 Filters | | | | | | |

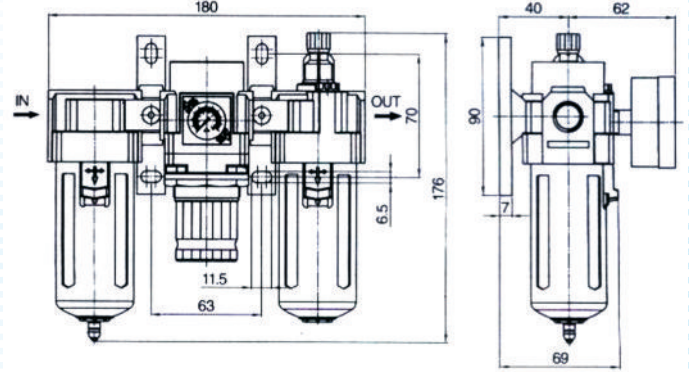
Air Source Treatment Unit

Dimensions (mm) for "S" SERIES
Air Filter + Regulator + Lubricator Combination (F+R+L)

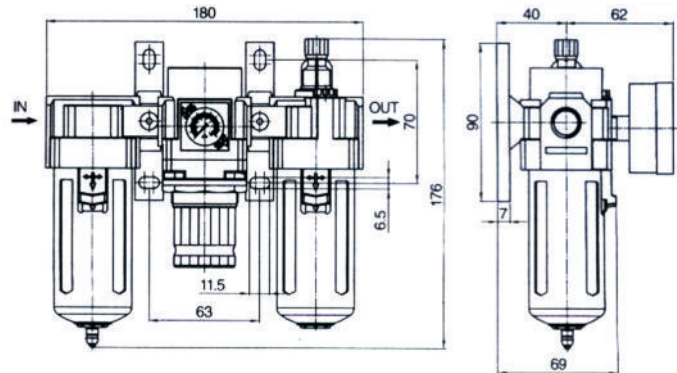
1) SFRL - O6 -WG



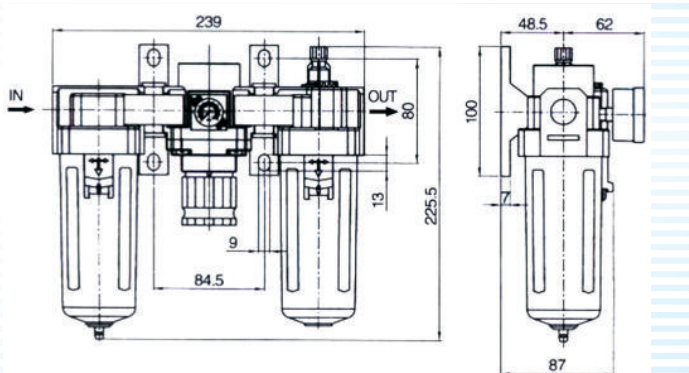
2) SFRL - 06



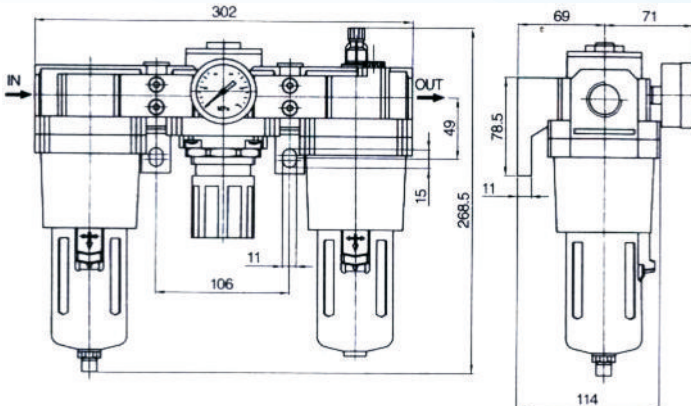
3) SFRL - 10



4) SFRL - 12



5) SFRL - 19



5) SFRL - 25

